

SARAYA

Manual Dispenser

MD-1600

For indoor use

Instruction manual

Thank you for purchasing the SARAYA MD-1600 Manual Dispenser. You are urged to thoroughly read this instruction manual before operating the MD-1600. Keep this instruction manual handy for future reference.

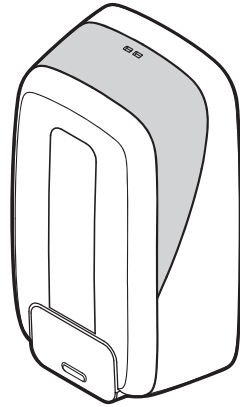


Table of contents		Page
Safety precautions	2
Name of components	5
Before installation	6
Installation	7
Installing / replacing the bottle	10
Dispensing chemicals	11
Attaching the tray	12
Maintenance	13
Before calling for repair	14
Specifications	15

Components

- Main unit1
- Plug3
- Key1
- Label for soap1
- Double sided tape1
- Label for sanitizer1
- Screw3
- Instruction manual1

2018-05-11-00/MS
20180301-00

Tel: +81-6-6703-6336 Fax: +81-6-6703-4466
URL: <http://worldwide.saraya.com>

SARAYA CO., LTD
2-2-8 Yuzato, Higashiumiyoshi-ku Osaka
546-0013 Japan
Global Operations Division

URL: <http://worldwide.saraya.com/products/public-health-hygiene/dispensers/item/md-1600>



Download the instruction manual in other languages through the QR code.

2 Safety precautions

Thoroughly read these safety precautions before using the unit. The precautions stated in this manual describe important safety information and you are advised to abide by them. After reading, keep this manual readily available for future reference.

The dangers of using the unit incorrectly are described in the following precautions and warnings.

	Warning	A hazard that may possibly result in death or serious injury if ignored.
	Caution	A hazard that may result in complications or conditions possibly resulting in personal or material damage.
Symbols	Never attempt this	Example
	Be sure to follow instructions	Example

Caution for setting	
	Caution
	Do not install on any surface other than those specified in this manual. May cause accident, injury or malfunction.
	Do not install on a painted wall with double sided tape. Only install on sturdy walls. The unit could fall resulting in injury or damage.
	Do not install near open flames or near anything that generates sparks. Just in case, keep a fire extinguisher nearby.
	Do not install indoors where the unit is directly exposed to sunlight or high temperature. May result in malfunction or fire.
	Install in an area that can be ventilated. Ventilate when using alcohol spray. Insufficient ventilation can fill the room with alcohol vapor. May create a fire hazard or cause nausea to the user.

3 Safety precautions

Usage precautions	
	Warning
	Do not use outside of specifications indicated in this manual. Failure to do so may cause accidents, injury, or malfunction.
	No one other than an authorized technician should attempt to disassemble, repair or modify the unit. The unit may breakdown. If you have any questions about the unit, please consult your sales representative.
	Do not dispose of alcohol spray collected in the tray near open flames. May cause fire.
	Keep away from flammables such as cigarettes, candles etc. May cause fire, malfunction or deformation.
	Do not pour or splash water on the unit. May result in malfunction.
	For proper handling of chemicals, consult its safety information.
Usage notes	
	Caution
	Do not place any items on top of the unit. The unit may fall and break.
	Do not drop or subject to strong impact. Abusive handling can result in unit damage or fire.
	Do not push the lever forcefully. May cause malfunction.
	Do not use chemicals other than those specified by SARAYA. May cause an accident or malfunction.
	Do not open and close the cover forcefully. May cause malfunction.

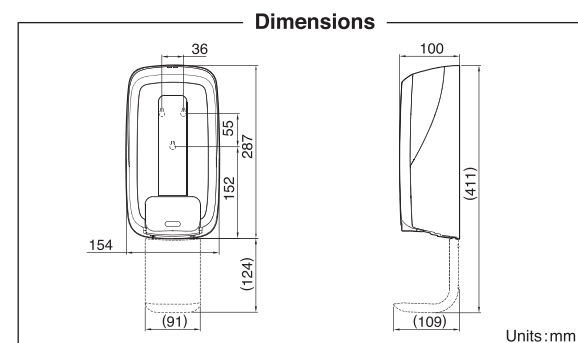
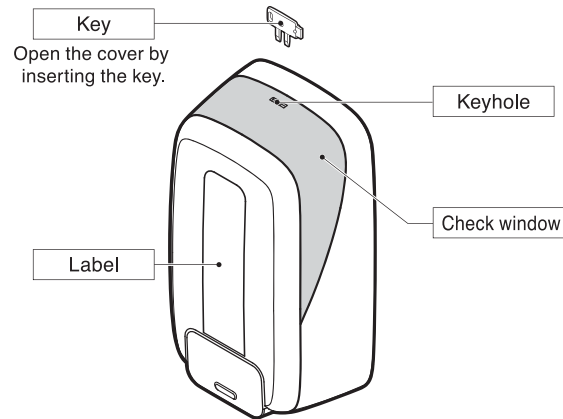
4 Safety precautions

	Follow local rules and regulations when disposing the unit.		When transferring the unit, remove the chemical bottle. Failure to do so may cause chemical leakage.
	Perform periodic inspection and cleaning. To maintain product safety and performance, regularly clean and inspect the unit.		
	When handling chemicals, take care not to spill. Any spills should be wiped up immediately. Spills may cause floor surfaces to change color or deteriorate. Also, spills can make the floor unsafe, resulting in slipping injuries.		
	Conduct the following if the unit will not be used for a long period of time. ① Remove the chemical bottle. ② Clean the unit. Failure to do so may cause chemical leakage.		

5 Name of components

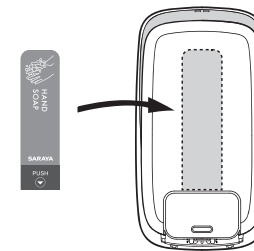
Necessary tools for setting

- Electric drill
- Drill bit (φ6, φ2.5)
- Philips screwdriver
- Hammer (resin head)
- Tape measure, ruler
- Alcohol sheets
- * Alcohol sheets are not included. Please purchase separately.



6 Before installation

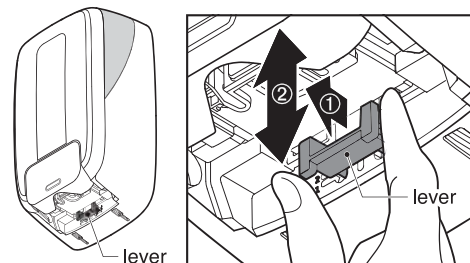
Select the appropriate label provided with the unit, and apply the label according to the instructions on the label.



How to use / changing the settings

Changing the dial.

- ① Pull out the lever (as described on the right) and pull it out towards you.
 - ② Move the lever position according to the chemical in use.
- * Set the lever according to the chart below.



Soap		Alcohol	
Chemical	Position	Chemical	Position
Foam	2	Gel	1
Liquid	1	Spray	2

* Initial setting 2

Caution

- For proper dispensing of chemicals, set the stroke setting correctly.
- Do not pull the lever out forcefully. May cause damage.
- There is no use for setting #3.

7 Installation

Necessary tools for setting

- Electric drill
- Drill bit (φ6, φ2.5)
- Philips screwdriver
- Hammer (resin head)
- Tape measure, ruler

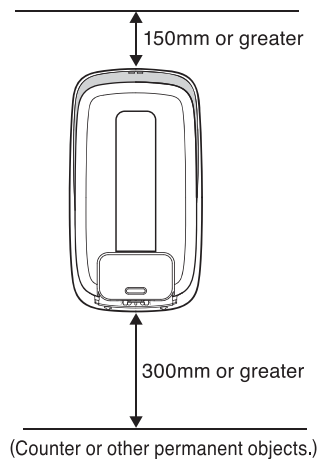
Installation method

Check the location

Please install on a sturdy wall. Please make sure there is a enough space to use the unit.

Caution

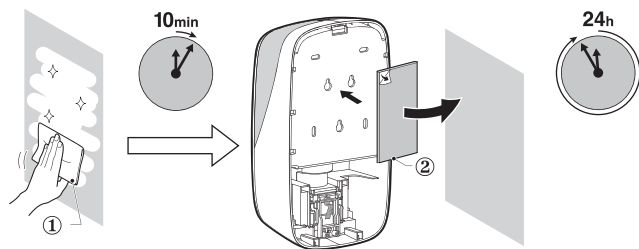
- Do not attach the unit with double sided tape on the following wall types. Painted surfaces, wall paper, uneven surface, rough surfaces.
- Do not attach the unit with screws on following wall types.
- Uneven surface
- Keep at least 150mm of space above the dispenser for key access.
- Allow at least 300mm of space below the dispenser for the tray and other objects.



8 Installation

Installing with double sided tape

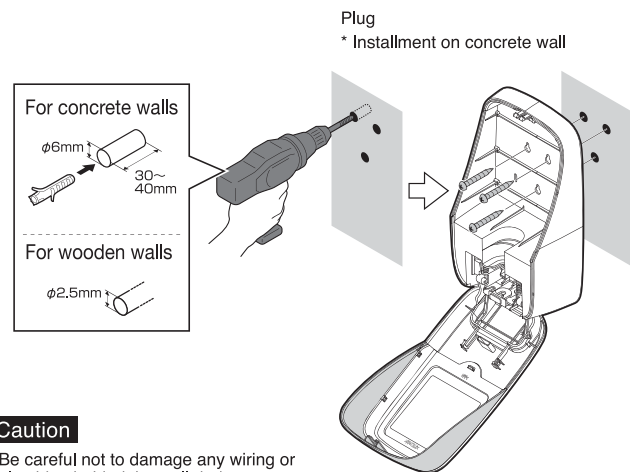
1. Cleanly remove any dust, dirt or grease from the surface of the wall.
 2. Let the surface dry for at least 10 minutes.
 3. Peel the one side of protective paper from the double sided tape.
 4. Apply the double sided tape to the back of the unit.
 5. Peel the other side of protective paper from the double sided tape.
 6. Press the fixing plate onto the wall or 10 seconds or more to attach.
- * Install the batteries and bottle 24 hours after installing the unit to the wall.



9 Installation

Installation with screws

1. Open the cover (refer to P5)
2. Drill holes in the wall through the fixing holes on the unit for an exact fit.
3. Attach with screws.
4. Close the cover.



Caution

- Be careful not to damage any wiring or plumbing behind the wall during installation.
- Clean away any dust after installation.
- When installing on a concrete wall
 1. Drill guide holes 3-4cm deep with a 6mm drill bit.
 2. Insert the 3 plugs into the holes and secure the unit with 3 tapping screws.
- Installing on wooden walls
 1. Drill 3 guide holes with a 2.5mm bit.
 2. Attach the unit with 3 tapping screws.
- Installing onto a weak wall (panelling, plywood, dry wall, etc.)
 1. Reinforce the wall with a brace.
 2. Install with tapping screws.

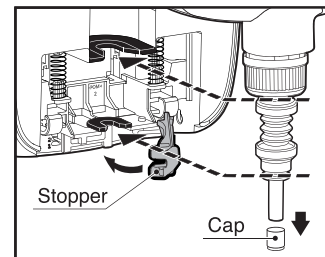
10 Installing / replacing the bottle

Caution

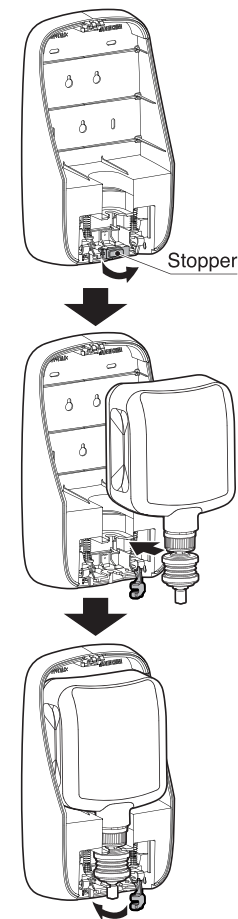
- When installing a bottle of foam soap or alcohol spray, please change the settings. (Refer to P6)
- Install the chemical bottle properly. For proper dispensing, please set the chemical bottle correctly.

1. Open the cover. (Refer to P5)
2. Open the stopper. When replacing the chemical bottle, open the stopper first, then remove the bottle. Failing to do so may cause damage to the unit.

3. Remove the cap from the chemical bottle.
4. Install the bottle by fitting it with the black area as shown. (image; spray/liquid type pump)



5. Close the stopper.
6. Close the cover. Make sure the stopper is securely closed. If the cover closed forcefully without closing the stopper, it may cause damage to the stopper.



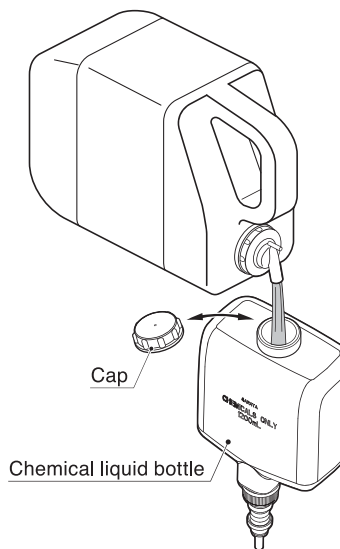
* Illustration of the cover is omitted for explanation.

11 Dispensing chemicals

Place your palm under the nozzle and push the lever to dispense.

Caution

- New bottles of chemical may not immediately dispense.
- Push the lever repeatedly until new chemical dispenses.
- Do not put any unnecessary pressure on the lever or you may damage the unit.
- Thoroughly read the chemical's label before using.



Refilling of chemicals

Caution

Chemical and the bottle are not included. Please purchase separately.

1. Open the cap.
2. Refill the chemical into the chemical bottle.
3. Close the cap.

Caution

In order to prevent the chemical leaks, do not put the refilled chemical bottle on its side.

Do not refill the chemical with the bottle inside the dispenser. May cause malfunction.

Caution

When using a disposable bottle, remove the bottle cap first.

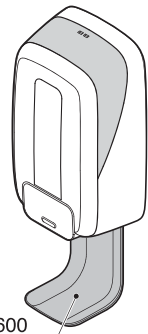
12 Attaching the tray

Caution

- The tray is not included with the unit. (Optional)
- Please purchase the tray separately. (Optional accessory)

Installing the tray

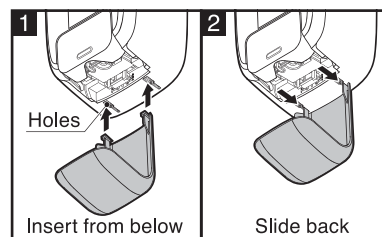
Using the tray will reduce contact of chemicals with the floor or countertops and any resulting discoloration.



Tray for the UD-1600 & MD-1600

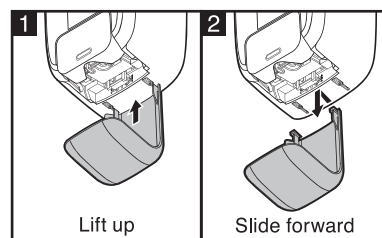
Attaching the tray

1. Insert the hooks of the tray into the holes located in the bottom of the unit.
2. Slide back to lock into place.



Removing the tray

1. Push the tray up.
2. Slide to wards the front to remove.



Cleaning the tray

A dirty tray with accumulated chemical is unsanitary and may be a source of malfunction. Clean the tray regularly to extend the usage of this product.

13 Maintenance

Cleaning of the unit.

Carry out basic maintenance tasks to ensure the longevity of this unit.

Any dirty areas should be cleaned with a dry soft cloth. Heavy stains should be cleaned with neutral detergent and water, rinsed with a moist cloth and then dried.

Caution

- Use a soft cloth.
- Follow the instructions when using a chemically pre-treated cloth.
- Do not use the following to clean the unit. Thinner, benzene, alcohol, petroleum, powder soap, polishing powder, non-neutral detergent, boiling water, acids, alkaline materials, brushes, etc.

Cleaning the nozzle

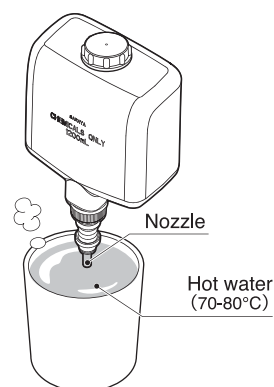
If the nozzle becomes clogged, it may cause incorrect dispensing or malfunction.

Clean the nozzle according to the following procedures.

1. Soak the end of the nozzle in hot water (approx. 70-80°C) for 2 minutes.
2. Check if the pump is dispensing properly.

Caution

- When cleaning the nozzle with a pin, be careful not to damage the parts inside.
- Be careful when handling hot water.
- If the unit continues to dispense incorrectly, please replace the bottle and pump.



14 Before calling for repair

Problem	Check point	Check point	Page
Chemical is not dispensing.	Has the chemical run out?	Replace with a new bottle	10
	Is the bottle correctly installed?	Install the chemical bottle correctly.	11
	Is the nozzle clogged?	Clean the nozzle.	13

15 Specifications

Item	Details
Name	Saraya Manual Dispenser
Model	MD-1600
Dimensions	W154 × D100 × H287 mm
Material	Case: PP, Lever: POM
Weight	Approx. 530g (excluding packaging, accessories, chemicals)
Operational temperature	5 ~ 40°C (ideal for chemical consistency)
Operational humidity	20 ~ 80% (no condensation)
Chemicals	Liquid, Soap, Foam Soap, Alcohol Spray (chemicals indicated by SARAYA)
Volume	1,000 or 1,200mL
Dispense rate	Soap Foam: 0.8mL/dispense, Liquid: 1mL/dispense Alcohol .. Gel: 1.2mL/dispense, Spray: 1.5mL/dispense

Specifications are subject to change without notice or any obligation on the part of the manufacturer.