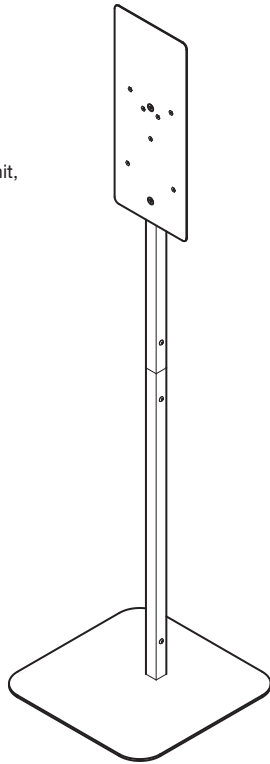


### Instruction Manual

Thank you very much for purchasing the Saraya TS-1390 Dispenser Stand.

You are urged to thoroughly read this instruction manual before operating the TS-1390.

Keep this instruction manual handy for future reference. If you have any questions about the unit, please consult your sales representative.



Parts & Accessories	
•Panel .....	1
•Stand tube .....	1
•Stand platform .....	1
•Screws .....	10
•Label .....	1
•Instruction manual .....	1

### Specifications

Item	Details
Name	Dispenser Stand
Model	TS-1390
Dimensions	W350 × D350 × H1390mm
Weight	Approx. 6kg (excluding packaging)
Materials	Panel ..... Painted steel Stand tube ..... Painted steel Stand platform ..... Painted steel
Dispensers	Indicated by Saraya Co., Ltd.

\*Specifications are subject to change without notice or any obligation on the part of the manufacturer.



Get more information here.

### Safety precautions

Thoroughly read these safety precautions before using the unit. The precautions stated in this manual describe important safety information and you are advised to abide by it.

■ The degree of harm or damage caused by improper use is classified by the following symbols.

<b>Warning</b>	Improper handling will result in serious injury or death.
<b>Caution</b>	Improper handling will result in injury and/or property damage.

Symbols	Never attempt this	Ex.	Be sure to follow directions	Ex.
---------	--------------------	-----	------------------------------	-----

<b>Installation precautions</b>	<b>Warning</b>	Do not use the unit except for its designated purpose. Usage outside the unit's specifications may cause injury or unit malfunction.
Securely position on a strong and level surface. Injuries or damage may result from the unit falling or tipping.	Do not install near open flames or near anything that generates sparks. May cause damage or fire. Just in case, keep a fire extinguisher nearby.	

<b>Installation precautions</b>	<b>Caution</b>	Do not install where directly exposed to sunlight or high temperatures. May cause unit malfunction.
---------------------------------	----------------	--

### Safety precautions

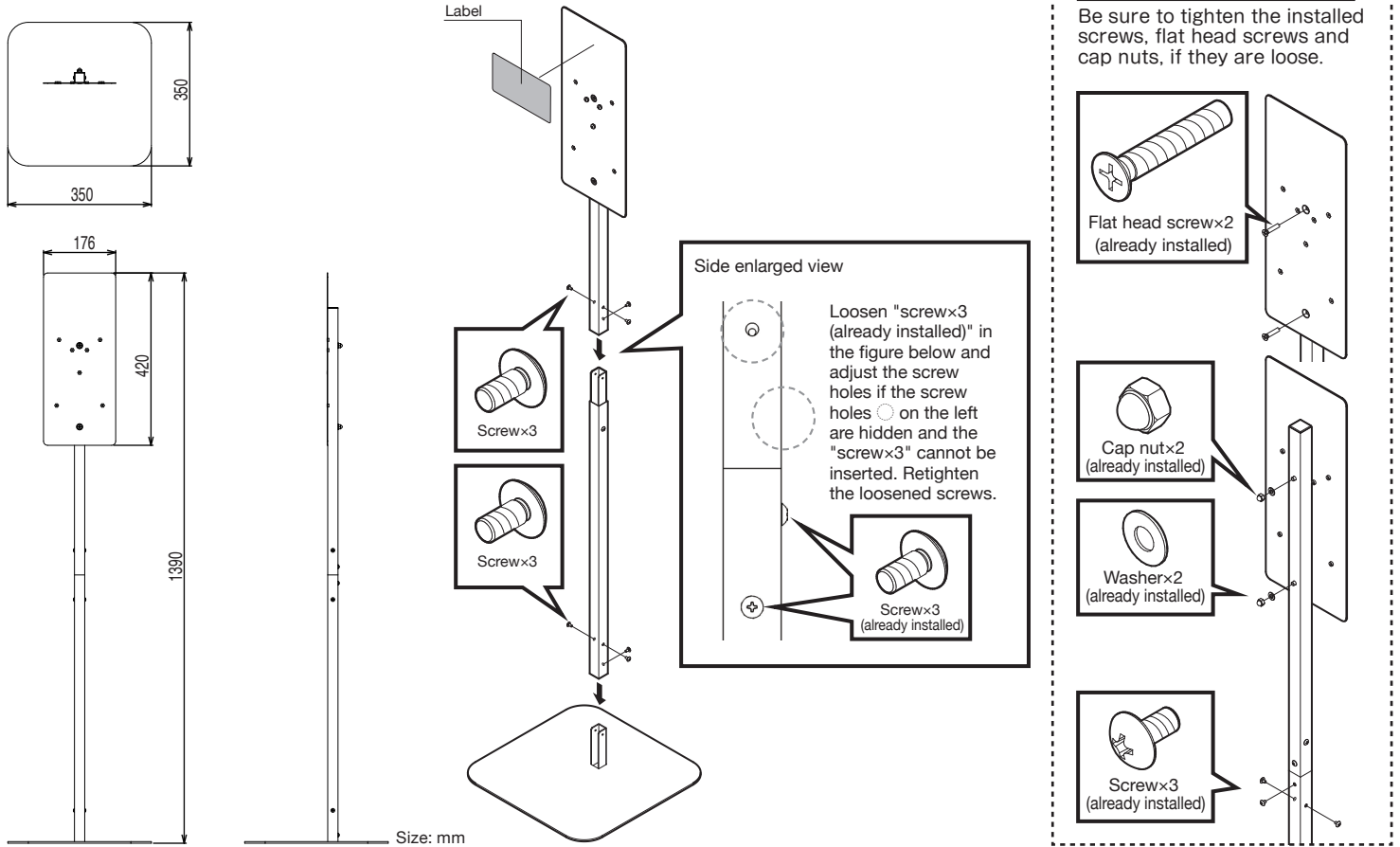
<b>Usage precautions</b>	<b>Warning</b>	Do not pour water on the unit. May cause fire or malfunction.
Never install this product near sources of open flames such as candles, incense, insect candles, or cigarettes. May cause unit deformation.	Use only no-touch dispensers approved by Saraya. Other dispensers may cause damage or injury due to falling.	
Do not place or hang items on the unit. The unit may cause damage or injury due to falling.	Do not drop or subject to strong impact. May cause fire or malfunction.	
Perform regular maintenance. In order to maintain the unit's safety and quality, perform regular inspections and cleaning.	Do not use thinner, benzene, petroleum, powder soap, polishing powder, non-neutral detergent, boiling water, acids, alkaline materials and brushes. May cause surface scratches, rust and discoloration.	

<b>Relocation and repair precautions</b>	<b>Warning</b>	Do not disassemble, repair or modify the unit. The unit may breakdown. If you have any questions about the unit, please consult your sales representative.
--	----------------	---

<b>Disposal precautions</b>	<b>Caution</b>	Obey the laws and regulations in your country and area when disposing of the unit.
-----------------------------	----------------	--

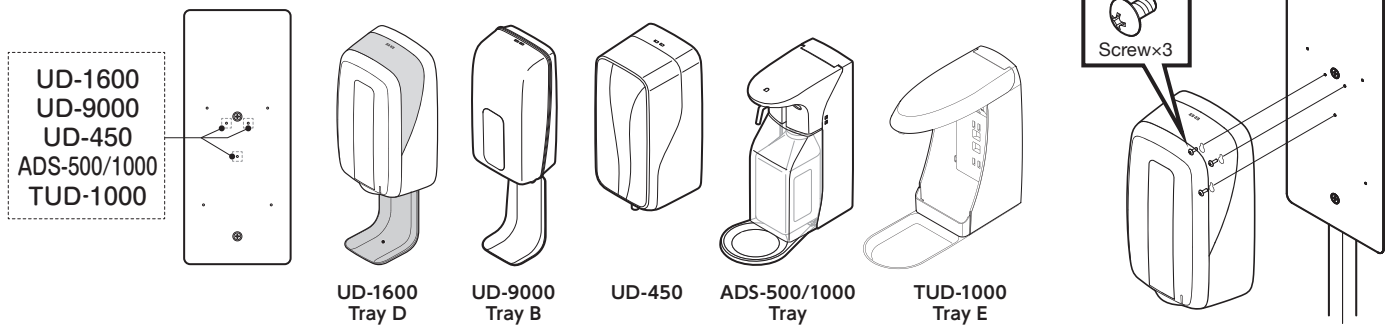
For Questions Contact 2-2-8 Yuzato, Higashiumiyoshi-ku, Osaka 546-0013 Japan  
**Saraya Co., Ltd.** Phone: +81-6-6703-6556 URL: <http://www.saraya.com/>  
 Hours: Weekdays (Except for holidays) 09:00~18:00

Please call for information on using this product and maintenance.



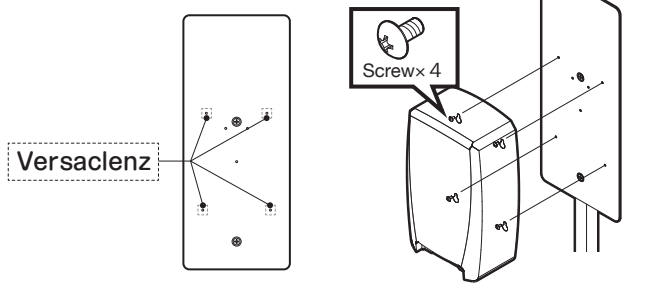
## When installing UD-1600, UD-9000, UD-450, ADS-500/1000 and TUD-1000

Using the optional trays is recommended. Refer to the instruction manual attached to each dispenser for details on the installation method.



## When installing Versaclenz

Using the optional trays is recommended. Refer to the instruction manual attached to each dispenser for details on the installation method.



Maintenance regularly. Leaving disinfectant or water on the unit for a long time may cause rust or discoloration. Any dirty areas should be cleaned with a dry, soft cloth. Heavy stains should be cleaned with neutral detergent and water, wiped with a moist towel, and dried.